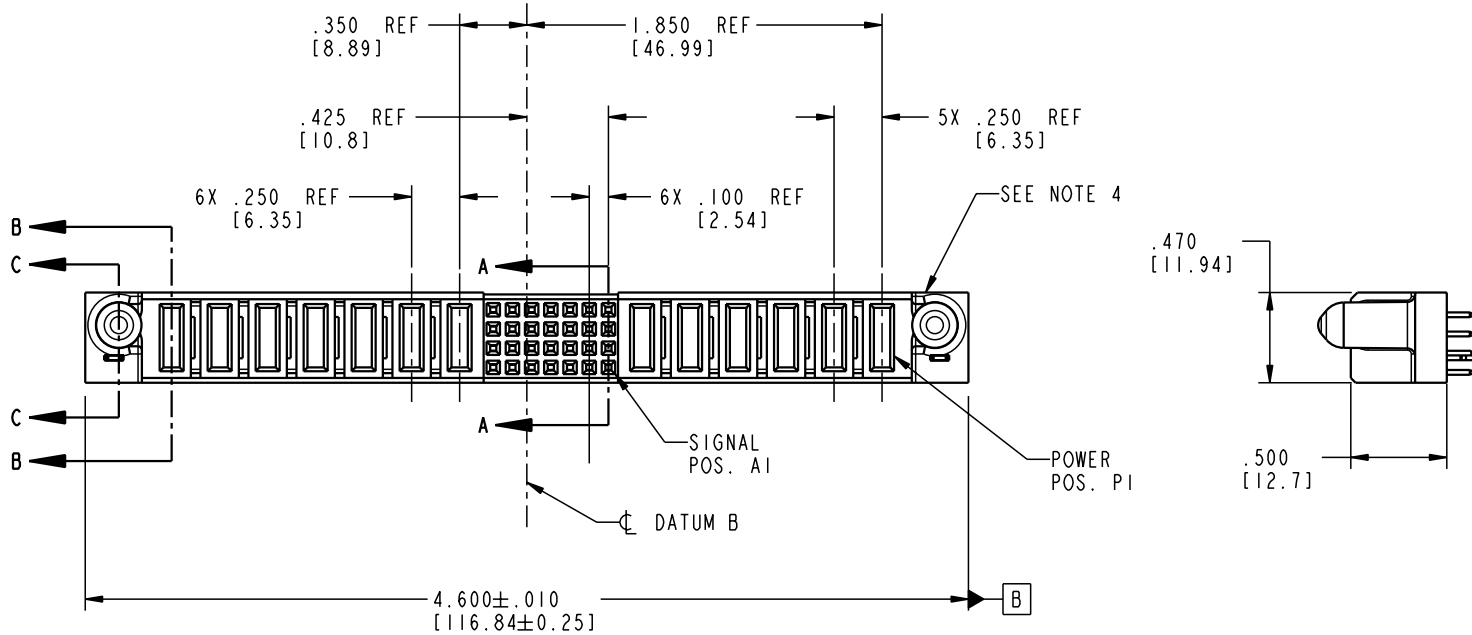


Tous droits strictement réservés. Reproduction ou communication o des liers interdite sous quelque forme que ce soit sans autorisation écrite du propriétaire. Propriete de c FCI. Droits de reproduction FCI.

All rights strictly reserved. Reproduction or issue to third parties in any form whenever is not permitted without written authority from the proprietor. Property of FCI. Copyright FCI.

PRODUCT NO.	ROWS	POWER							SIGNAL							POWER							
		E2	P13	P12	P11	P10	P9	P8	P7	7	6	5	4	3	2	1	P6	P5	P4	P3	P2	P1	E1
51740-10602807AA	D C B A		PA	PA	PA	PA	PA	PA	PA	E	E	E	E	E	E	E	PA	PA	PA	PA	PA	PA	



CODE	DIM "M" MATING LENGTH	CONTACT TYPE
E	N/A [N/A]	SIGNAL
PA	.042 [1.07]	POWER
HA	N/A [N/A]	HOLD-DOWN

mat'l code				SEE NOTE 2		tolerances unless otherwise specified		CUSTOMER		 www.fciconnect.com	
ltr	ecn no.	dr	date	linear	.XX ± .01/0.X ± 0.3		COPY		title		
A	V21896	CGD	12/18/02		.XXX ± .005/0.XX ± 0.13		projection		6P + 28S + 7P		
					.XXX ± .0020/0.XX ± 0.051				VERTICAL SOLDER RECEPT		
				angles	0° ± 7°		INCH/MM		product family		code
				dr	C. DAILY	12/18/02	scale		PwrBlade		213
				engr	M. MOSTOLLER	12/18/02	1:1		size		sheet
				chr	M. MOSTOLLER	12/18/02			dwg no		1 of 4
				appd	M. MOSTOLLER	12/18/02			A 51740-10602807AA		
sheet index	revision	A	A	A	A						
	sheet	1	2	3	4						

Pro/E

cage code 22526

PDM: Rev:A

STATUS: Released

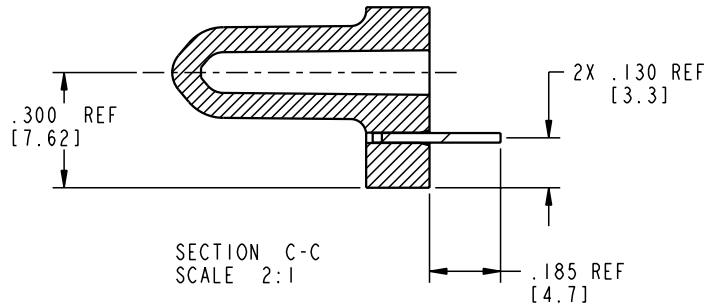
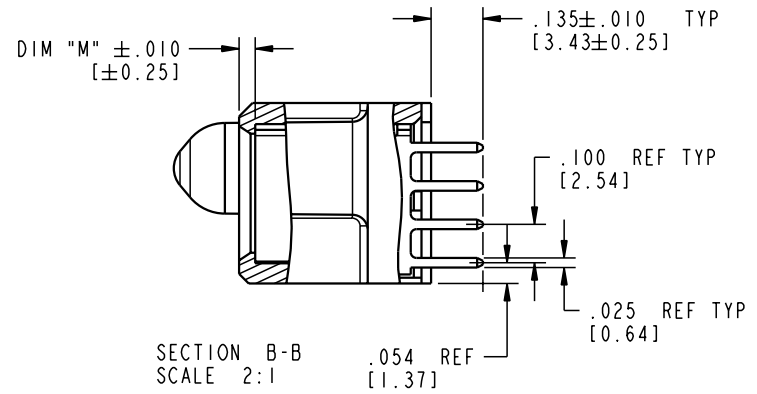
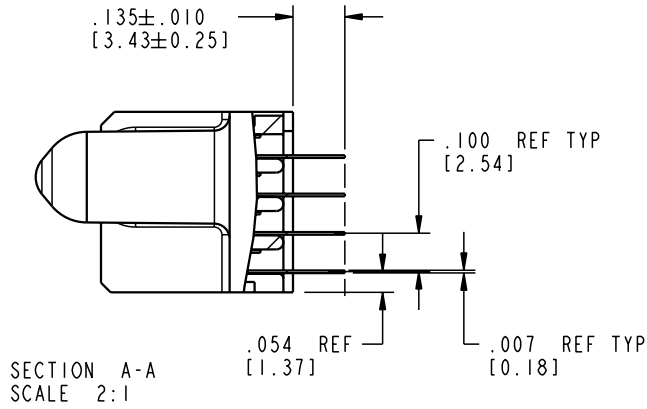
Printed: Aug 14, 2007

Tous droits strictement réservés. Reproduction ou communication o des tiers interdite sous quelque forme que ce soit sans autorisation écrite du propriétaire. Propriete de c FCI. Droits de reproduction FCI.

All rights strictly reserved. Reproduction or issue to third parties in any form whatever is not permitted without written authority from the proprietor. Property of FCI. Copyright FCI.

A
FCI

PRODUCT NUMBER
51740-10602807AA



mat'l code				SEE NOTE 2		tolerances unless otherwise specified		CUSTOMER		 www.fciconnect.com		
ltr	ecr no.	dr	date	linear	.XX±.01/0.X±0.3		COPY		title 6P + 28S + 7P VERTICAL SOLDER RECEIPT			
A					.XXX±.005/0.XX±0.13		projection					product family
					angles	.XXX±.0020/0.XXX±0.051		 INCH/MM		PwrBlade		213
					dr	C. DAILY	12/18/02	scale		size		sheet
				enr	M. MOSTOLLER	12/18/02	1:1		dwg no		2 of 4	
				chr	M. MOSTOLLER	12/18/02			A 51740-10602807AA			
				appd	M. MOSTOLLER	12/18/02						
sheet index		revision sheet										

Pro/E

cage code
22526

PDM: Rev:A

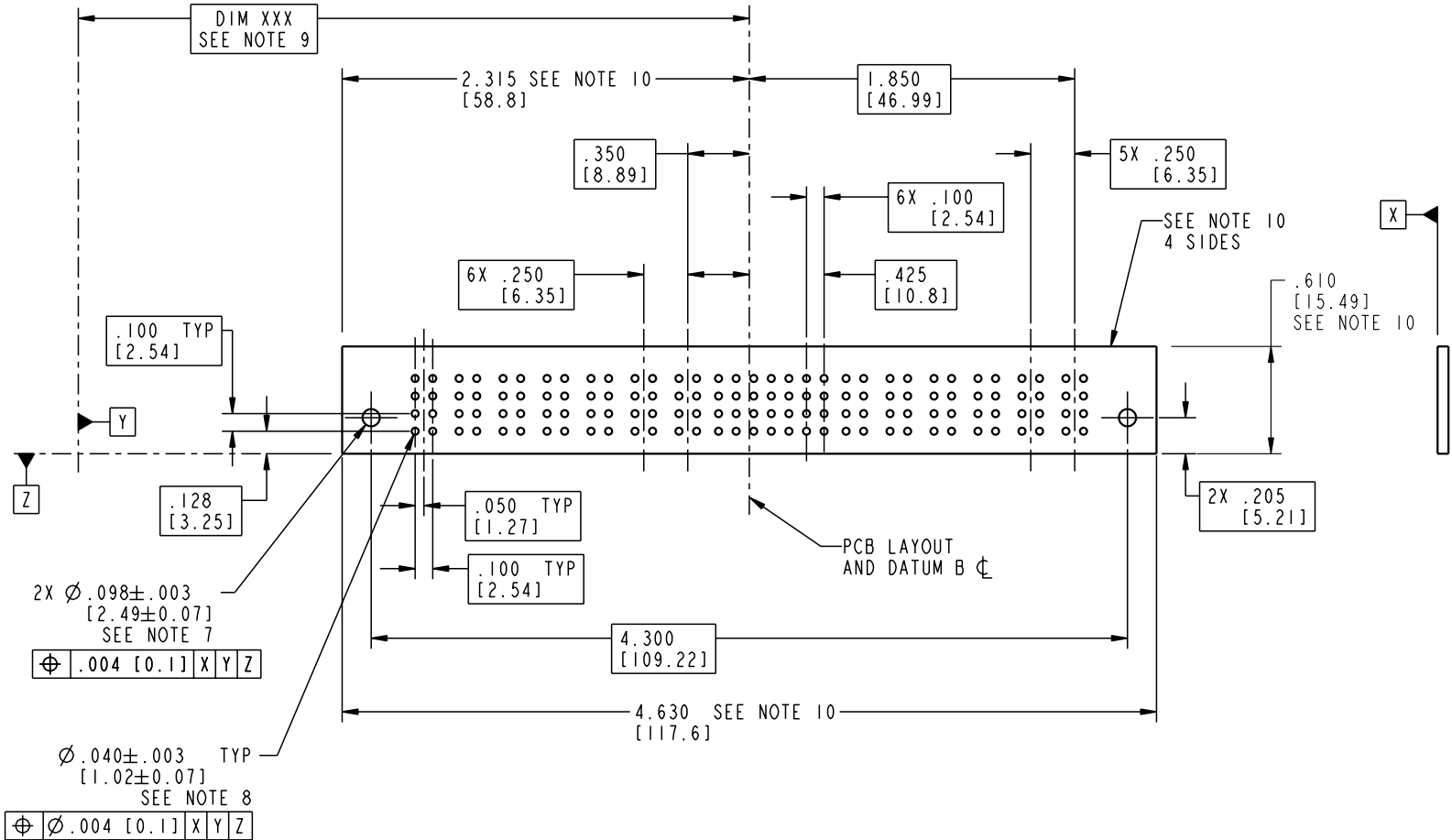
STATUS: **Released**

Printed: Aug 14, 2007

Tous droits strictement réservés. Reproduction ou communication o des tiers interdite sous quelque forme que ce soit sans autorisation écrite du propriétaire. Propriété de c FCI. Droits de reproduction FCI.

All rights strictly reserved. Reproduction or issue to third parties in any form whatever is not permitted without written authority from the proprietor. Property of FCI. Copyright FCI.

PRODUCT NUMBER
51740-10602807AA



mat'l code				SEE NOTE 2		tolerances unless otherwise specified		CUSTOMER		 www.fciconnect.com	
ltr	ecn no.	dr	date	linear	.XX±.01/0.X±0.3	projection	COPY		title		
A				angles	.XXX±.005/0.XX±0.13				6P + 28S + 7P		
				dr	.XXX±.0020/0.XXX±0.051		INCH/MM		VERTICAL SOLDER RECEIPT		
				enr	0° ± 2°	scale	1:1		product family		code
				chr	C. DAILY 12/18/02				PwrBlade		213
				appd	M. MOSTOLLER 12/18/02				size		sheet
					M. MOSTOLLER 12/18/02				A 51740-10602807AA		3 of 4
sheet index	revision sheet										

Pro/E

cage code 22526

PDM: Rev:A

STATUS: Released

Printed: Aug 14, 2007

Tous droits strictement réservés. Reproduction ou communication o des tiers interdite sous quelque forme que ce soit sans autorisation écrite du propriétaire. Propriété de c FCI. Droits de reproduction FCI.

A
FCI

All rights strictly reserved. Reproduction or issue to third parties in any form, whenever is not permitted without written authority from the proprietor. Property of FCI. Copyright FCI.

B

PRODUCT NUMBER
51740-10602807AA

NOTES:

1. DIMENSIONS AND TOLERANCES ARE IN ACCORDANCE WITH ASME Y14.5M, 1994 UNLESS OTHERWISE SPECIFIED.

CONNECTOR NOTES:

- ② HOUSING MATERIAL: UL 94 V-0 GLASS FILLED
HIGH-TEMP THERMOPLASTIC
POWER CONTACT MATERIAL: COPPER ALLOY
SIGNAL PIN MATERIAL: COPPER ALLOY
- 3. PLATING:
SIGNAL PINS: 30u"/0.76um Au OVER 50u"/1.27um Ni
POWER CONTACTS: 50u"/1.27um Ni UNDER ALL
WITH 30u"/0.76um Au ON CONTACT AREA
AND SnPb ON PCB INTERFACE


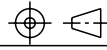
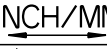
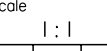
- ④ MANUFACTURER'S NAME, P/N, AND DATE CODE TO APPEAR ON THIS SURFACE.

5. PRODUCT SPECIFICATION GS-12-149.
APPLICATION SPECIFICATION BUS-20-067.

PCB NOTES:

- 6. ALL HOLE DIAMETERS ARE FINISHED HOLE SIZE.
- 7. MOUNTING HOLES, WHERE APPLICABLE, ARE UNPLATED.

- ⑧ $\varnothing .0453 \pm .0010$ [1.151 ± 0.025] DRILLED HOLES PLATED WITH
.0003 [0.008] MIN SnPb OVER .001 [0.03]
TO .003 [0.08] Cu PLATING TO ACHIEVE
 $\varnothing .040 \pm .003$ [1.02 ± .07] HOLE.
- ⑨ "DIM XXX" TO BE DETERMINED BY THE CUSTOMER.
- ⑩ CONNECTOR KEEP-OUT ZONE.

mat'l code				SEE NOTE 2		tolerances unless otherwise specified		CUSTOMER		 FCI www.fciconnect.com	
ltr	ecr no.	dr	date	linear	.XX±.01/0.X±0.3		COPY			title	
A					.XXX±.005/0.XX±0.13		projection			6P + 28S + 7P	
				angles	.XXX±.0020/0.XXX±0.051				VERTICAL SOLDER RECEPT		
				dr	C. DAILY	12/18/02	INCH/MM		product family		code
				enr	M. MOSTOLLER	12/18/02			PwrBlade		213
				chr	M. MOSTOLLER	12/18/02	scale		size		sheet
				appd	M. MOSTOLLER	12/18/02	1:1		A 51740-10602807AA		4 of 4
sheet index		revision sheet									

A

B

1 | 2

3 |

4

1 | 2

Pro/E

3 |

cage code **22526**

4